

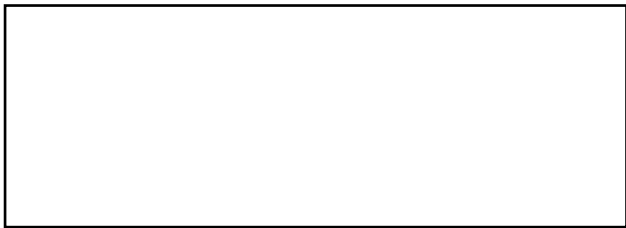


FOOD EQUIPMENT

HOTDOG STEAMER AND BUN WARMER WITH TEMPERED GLASS

Item: 40305

Model: FW-CN-1200



Authorized Dealer

FOOD EQUIPMENT

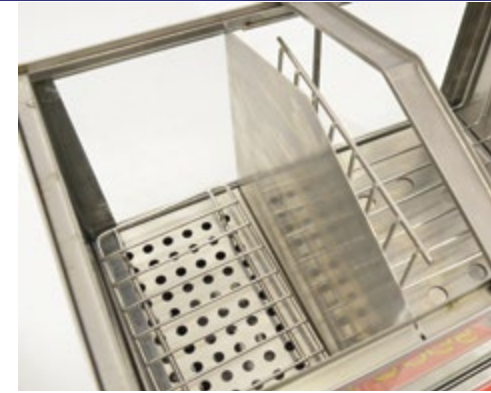
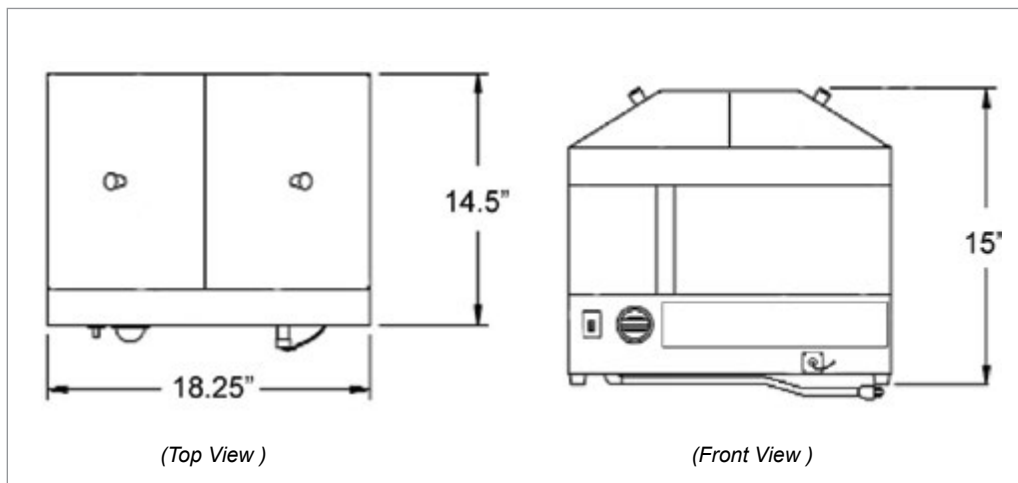
HOTDOG STEAMER AND BUN WARMER WITH TEMPERED GLASS



FEATURES

- Body and lids are constructed of stainless steel with tempered glass on both sides
- Features an adjustable thermostat, 6 qt steamer, and humidity controls
- Unit fits up to a 100 standard size hotdogs and 36-48 buns
- Easy access due to its top loading design
- Comes with a front drain valve

DIMENSIONS & TECHNICAL SPECIFICATION



TECHNICAL SPECIFICATION

ITEM NUMBER	40305
MODEL	FW-CN-1200
TEMPERATURE RANGE	80°F - 185°F / 26.67°C-85°C
CAPACITY	36-48 pcs. (buns) and 100 pcs. (hotdogs)
CABINET DIMENSION (WDH)	6" x 12" x 8" / 15cm x 30.5cm x 30cm hot dog compartment 11" x 12" x 8" / 28cm x 30.5cm x 30cm bun compartment
POWER	1200 Watts
ELECTRICAL	120V / 60 / 1 / 10 Amps
DIMENSION (DWH)	14.5" x 18.25" x 15" / 37cm x 46cm x 38cm
WEIGHT	30 lbs.
PACKAGING WEIGHT	30.8 lbs.
PACKAGING DIMENSIONS	19.89" x 17.13" x 18" / 50.5cm x 43.5cm x 45.7cm

OMCAN INC.

Telephone: 1-800-465-0234
 Fax: (905) 607-0234
 E-mail: sales@omcan.com
 Website: www.omcan.com



Follow us to keep up to date with the latest news and offers

